



**BUILDING CODE COMPLIANCE OFFICE (BCCO)
PRODUCT CONTROL DIVISION**

**MIAMI-DADE COUNTY, FLORIDA
METRO-DADE FLAGLER BUILDING
140 WEST FLAGLER STREET, SUITE 1603
MIAMI, FLORIDA 33130-1563
(305) 375-2901 FAX (305) 375-2908**

NOTICE OF ACCEPTANCE (NOA)

**Roser Co. LTD
400, Nae-Ri, Apryang-Myeon, Gyongsan-si
Gyongsanbuk-do, Korea**

SCOPE:

This NOA is being issued under the applicable rules and regulations governing the use of construction materials. The documentation submitted has been reviewed by Miami-Dade County Product Control Division and accepted by the Board of Rules and Appeals (BORA) to be used in Miami Dade County and other areas where allowed by the Authority Having Jurisdiction (AHJ).

This NOA shall not be valid after the expiration date stated below. The Miami-Dade County Product Control Division (In Miami Dade County) and/or the AHJ (in areas other than Miami Dade County) reserve the right to have this product or material tested for quality assurance purposes. If this product or material fails to perform in the accepted manner, the manufacturer will incur the expense of such testing and the AHJ may immediately revoke, modify, or suspend the use of such product or material within their jurisdiction. BORA reserves the right to revoke this acceptance, if it is determined by Miami-Dade County Product Control Division that this product or material fails to meet the requirements of the applicable building code.

This product is approved as described herein, and has been designed to comply with the Florida Building Code, including the High Velocity Hurricane Zone.

DESCRIPTION: Cleo/Tuscany, Rowood, Roser Bond, Stonewood Shake Panels

LABELING: Each unit shall bear a permanent label with the manufacturer's name or logo, city, state and following statement: "Miami-Dade County Product Control Approved", unless otherwise noted herein.

RENEWAL of this NOA shall be considered after a renewal application has been filed and there has been no change in the applicable building code negatively affecting the performance of this product.

TERMINATION of this NOA will occur after the expiration date or if there has been a revision or change in the materials, use, and/or manufacture of the product or process. Misuse of this NOA as an endorsement of any product, for sales, advertising or any other purposes shall automatically terminate this NOA. Failure to comply with any section of this NOA shall be cause for termination and removal of NOA.

ADVERTISEMENT: The NOA number preceded by the words Miami-Dade County, Florida, and followed by the expiration date may be displayed in advertising literature. If any portion of the NOA is displayed, then it shall be done in its entirety.

INSPECTION: A copy of this entire NOA shall be provided to the user by the manufacturer or its distributors and shall be available for inspection at the job site at the request of the Building Official.

This NOA consists of pages 1 through 8.

The submitted documentation was reviewed by Alex Tigera.



**NOA 08-0225.01
Expiration Date: 04/03/13
Approval Date: 04/03/08
Page 1 of 8**

ROOFING SYSTEM APPROVAL:

Category:	Roofing
Sub-Category:	Metal, Panels (Non-Structural)
Material:	Steel
Deck Type:	Wood
Maximum Design Pressure	-156 psf

SCOPE

This approves a roofing system using **Cleo/Tuscany, Rowood, Roser Bond, Stonewood Shake Panels** manufactured by **Roser Co. LTD** in **Korea** and is distributed by **Stonehenge Roofing Products.**, as described in herein this Notice of Acceptance.

TRADE NAMES OF PRODUCTS MANUFACTURED OR LABELED BY APPLICANT:

<u>Product</u>	<u>Dimensions</u>	<u>Test Specifications</u>	<u>Product Description</u>
Cleo/Tuscany	53-1/8" x 14-3/8" Thickness min. 26 ga.	TAS 110	Galvalume steel, stone coated metal panel shingle
Rowood	52-3/4" x 14-1/2" Thickness min. 26 ga.	TAS 110	Galvalume steel, stone coated metal panel shingle
Roser Bond	53-1/8" x 14-1/2" Thickness min. 26 ga.	TAS 110	Galvalume steel, stone coated metal panel shingle
Stonehenge Shake	53-1/8" x 14-1/2" Thickness min. 26 ga.	TAS 110	Galvalume steel, stone coated metal panel shingle

EVIDENCE SUBMITTED:

<u>Test Agency</u>	<u>Test Identifier</u>	<u>Test Name/Report</u>	<u>Date</u>
Hurricane Test Laboratory, Inc.	0474-0513-07	TAS 125	07/02/07
Hurricane Test Laboratory, Inc.	0474-0514-07	TAS 125	07/02/07
PRI Construction Materials	RCL-002-02-01	TAS 100	07/24/07
PRI Construction Materials	RCL-003-02-01	TAS 100	07/24/07
PRI Construction Materials	RCL-001-02-01	ASTM B 117	10/30/06
PRI Construction Materials	RCL-001-02-02	ASTM G 26	08/07/06



APPROVED ASSEMBLIES:

SYSTEM A-1: Cleo/Tuscany, Rowood, Roser Bond, Stonewood Shake Panels
Deck Type: Wood, Non-insulated
Deck Description: New construction or Re-roof, 15/32" or greater plywood or wood plank
Slope Range: 2":12" or greater
Maximum Uplift Pressure: See Below

Deck Attachment: Deck shall be attached in accordance with applicable Building Code, but in no case shall it be less than 8d ring shank nails spaced 6" o.c. In reroofing, where the deck is less than 19/32" thick (Minimum 15/32") the above attachment method must be in addition to existing attachment.

Underlayment: Minimum underlayment shall be an ASTM D 226 Type II installed with a minimum 4" side-lap and 6" end-laps. Underlayment shall be fastened with corrosion resistant tin-caps and 12 gauge 1 1/4" annular ring-shank nails, spaced 6" o.c. at all laps and two staggered rows 12" o.c. in the field of the roll. Or, any approved underlayment having a current NOA.

Fire Barrier Board: Any approved fire barrier having a current NOA, or for class A or B fire rating, install minimum 1/4" thick Georgia Pacific "Dens Deck" (with current NOA) or minimum 4mm thick of Tritex, RockRoof (with current NOA) or 5/8" water resistant type X gypsum sheathing with treated core and facer.

Valleys: Valley construction shall be in compliance with Roofing Application Standard RAS 133 and with Roser Co. LTD's current published installation instructions.

Metal Panels and Accessories: Install the " Cleo/Tuscany, Rowood, Roser Bond, Stonewood Shake Panels" and accessories in compliance with Roser Co. LTD's current, published installation instructions and details. Flashings, penetrations, valley construction and other details shall be constructed in compliance with the minimum requirements provided in Roofing Application Standard RAS 133.

Panels shall be fastened with corrosion resistant 2-1/4" x 1/4" dia. Hex head screws approximately 7" o.c. with a minimum of 8 on the top edge and 8 on the bottom edge. Fasteners listed herein are to be placed on the front of the panel (exposed) and along the back of the panel (concealed). (See detail drawings herein).

Maximum Design Pressure: -131.75psf (See System Limitation #1)



SYSTEM A-2: Cleo/Tuscany, Rowood, Roser Bond, Stonewood Shake Panels
Deck Type: Wood, Non-insulated
Deck Description: New construction or Re-roof, 15/32" or greater plywood or wood plank
Slope Range: 2":12" or greater
Maximum Uplift Pressure: See Below

Deck Attachment: Deck shall be attached in accordance with applicable Building Code, but in no case shall it be less than 8d ring shank nails spaced 6" o.c. In reroofing, where the deck is less than 19/32" thick (Minimum 15/32") the above attachment method must be in addition to existing attachment.

Underlayment: Minimum underlayment shall be an ASTM D 226 Type II installed with a minimum 4" side-lap and 6" end-laps. Underlayment shall be fastened with corrosion resistant tin-caps and 12 gauge 1 1/4" annular ring-shank nails, spaced 6" o.c. at all laps and two staggered rows 12" o.c. in the field of the roll. Or, any approved underlayment having a current NOA.

Fire Barrier Board: Any approved fire barrier having a current NOA, or for class A or B fire rating, install minimum 1/4" thick Georgia Pacific "Dens Deck" (with current NOA) or minimum 4mm thick of Tritex, RockRoof (with current NOA) or 5/8" water resistant type X gypsum sheathing with treated core and facer.

Valleys: Valley construction shall be in compliance with Roofing Application Standard RAS 133 and with Roser Co. LTD's current published installation instructions.

Battens: Install 1" x 4" (nominal) southern Yellow Pine battens at 14-1/2" o.c. using two (2), 8d x 2-3/8" corrosion resistant ring shank nails spaced 12" o.c.

Metal Panels and Accessories: Install the " Cleo/Tuscany, Rowood, Roser Bond, Stonewood Shake Panels" and accessories in compliance with Roser Co. LTD's current, published installation instructions and details. Flashings, penetrations, valley construction and other details shall be constructed in compliance with the minimum requirements provided in Roofing Application Standard RAS 133.
Panels shall be fastened with corrosion resistant 2-1/4" x 1/4" dia. Hex head screws approximately 7" o.c. with a minimum of 8 on the bottom edge into the battens. Fasteners listed herein are to be placed on the front of the panel (exposed) through the top lip of the previous panel and into the batten. (See detail drawings herein).

Maximum Design Pressure: -156psf (See System Limitation #1)



SYSTEM LIMITATIONS

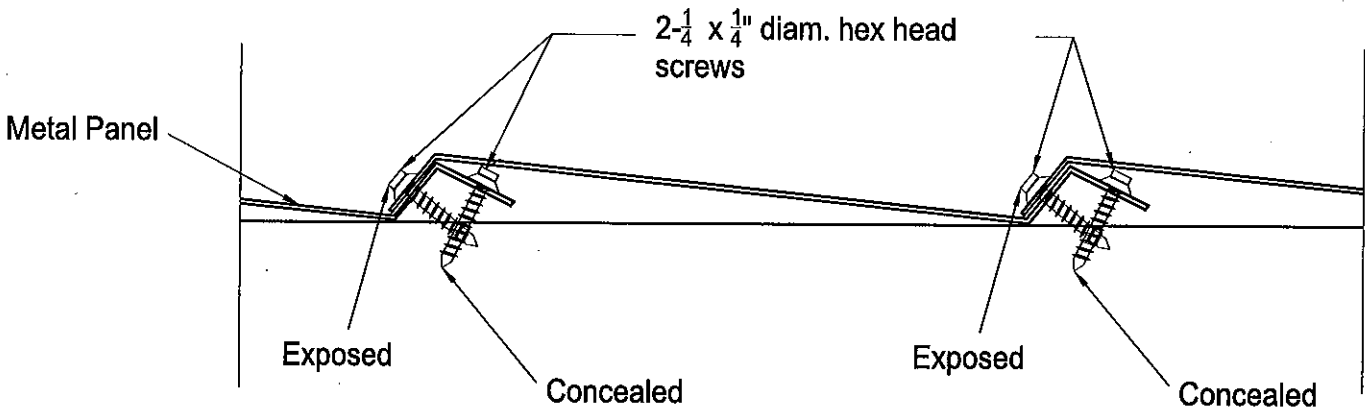
- 1 The maximum designed pressure listed herein shall be applicable to all roof pressure zones (i.e. field, perimeters, and corners). Neither rational analysis, nor extrapolation shall be permitted for enhanced fastening at enhanced pressure zones (i.e. perimeters, extended corners and corners).
- 2 Panels may be rolls formed in continuous lengths from eave to ridge. Maximum lengths shall be as described in Roofing Application Standard RAS 133
- 3 All panels shall be permanently labeled with the manufacturer's name and/or logo, and the following statement: "Miami-Dade County Product Control Approved" or with the Miami-Dade County Product Control Seal as seen below. All clips shall be permanently labeled with the manufacturer's name and/or logo, and/or model.



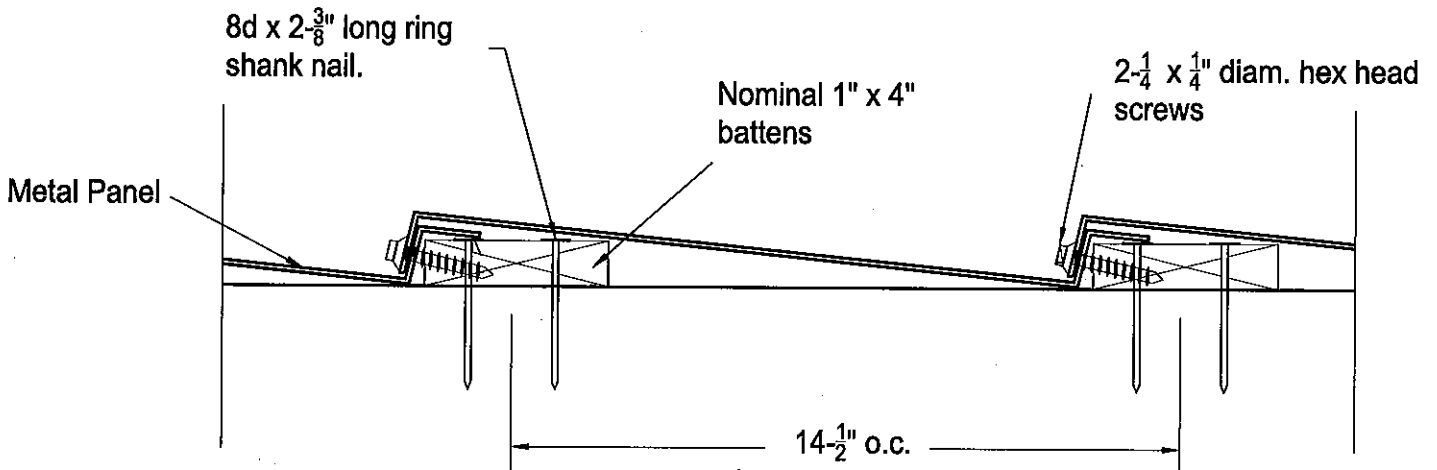
- 4 Fire classification is not part of this acceptance; refer to a current Approved Roofing Materials Directory for fire ratings of this product.
- 5 All products listed herein shall have a quality assurance audit in accordance with the Florida Building Code and Rule 9B-72 of the Florida Administrative Code.



DETAIL DRAWING:

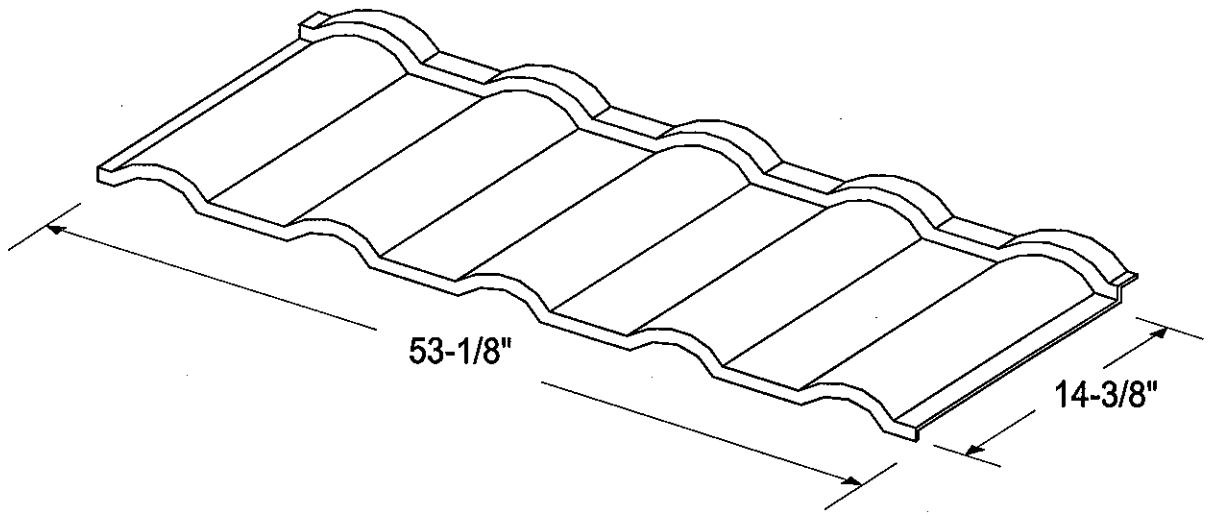


SYSTEM A-1 INSTALLATION DETAIL

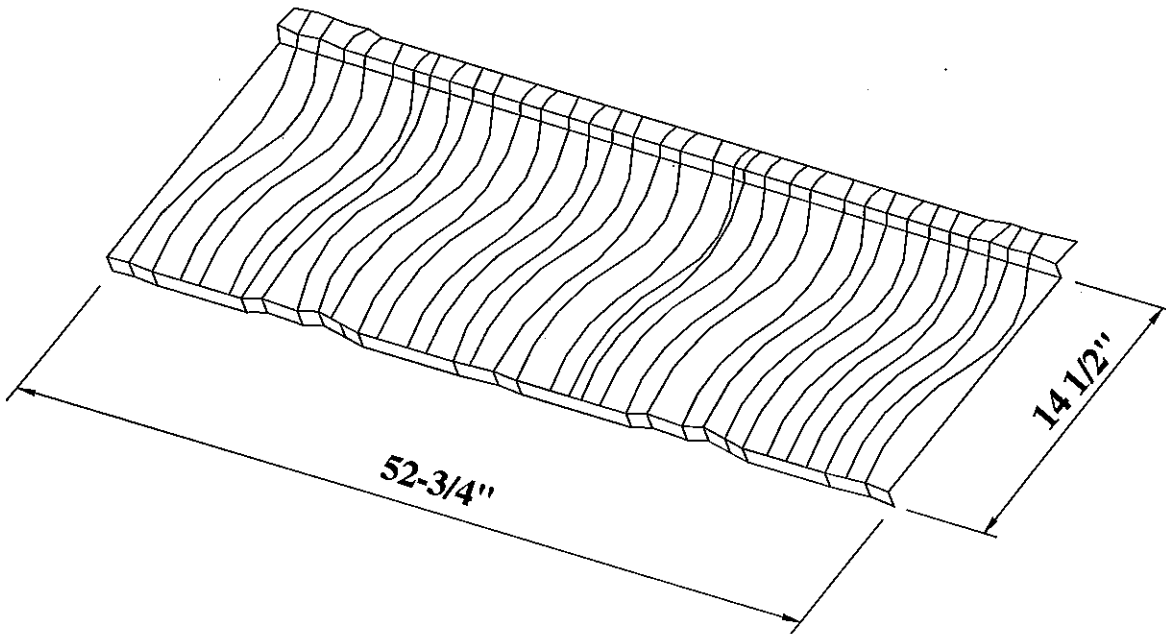


SYSTEM A-2 INSTALLATION DETAIL (WITH BATTENS)



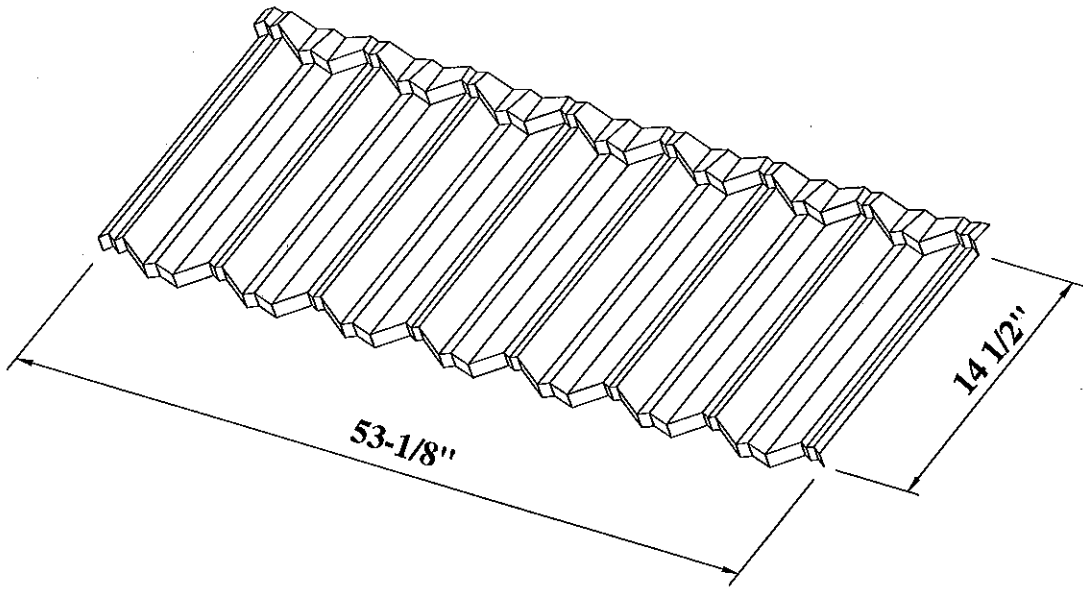


CLEO/TUSCANY

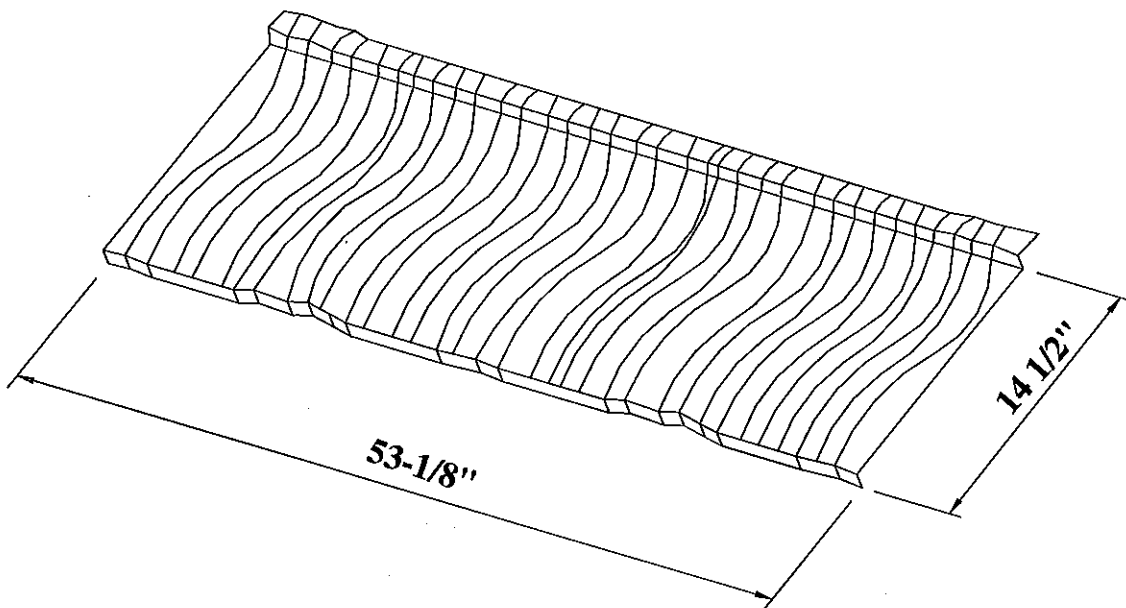


ROWOOD





ROSER BOND



STONEWOOD SHAKE
END OF THIS ACCEPTANCE

